



## Product Description

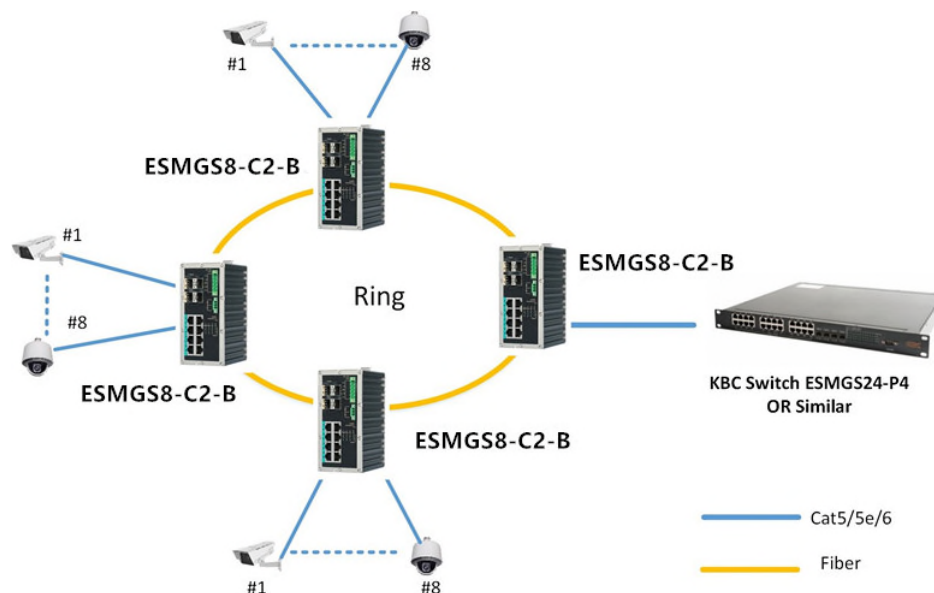
The KBC ESMGS8-C2-B series is a high performance 10 port, industrial, managed gigabit Ethernet switch with eight 10/100/1000M PoE ports and two gigabit combo ports. The eight PoE ports support IEEE802.3af/at standard. The switch supports Ethernet Ring Protection Switching (ERPS) as well as STP/RSTP/MSTP. It also supports Web-based network management, VLAN, QoS, SNMP, IGMP snooping and other network functions. LED indicators provide the connection status when using SFP option. Rugged design with IP40 enclosure and industrial level 3 ESD protection makes it suitable for many applications such as Intelligent Transportation Systems, IP surveillance and industrial networks. The product is available in either DIN rail or wall-mount configurations.



## Product Features

- 8\* 10/100/1000Base-T Ethernet ports (PoE)
- 2\* Gigabit Comb ports
- EPRS (typical recovery time < 30ms over 250 units of connection)
- Different redundancy protocols and standards STP / RSTP / MSTP
- SNMP v1/v2c/v3 & RMON & Port base/802.1Q VLAN network management
- IGMP Snooping multicast function
- WEB, Telnet, SSH, Console (CLI)
- Open and close port, binding MAC and port
- 802.1x network access control
- 802.1Q protocol, Isolate network flow
- Radius Centralized password management
- IEEE802.3af/at standard
- Overload current protection and reverse polarity protection
- LED display shows transmitting and receiving power of the optics
- IP40 enclosure protection
- Unique DIN mount design makes mount and removal easy

## Typical System Configuration



# Specifications

## Standards

IEEE Ethernet Standards IEEE 802.3, IEEE 802.3u, IEEE 802.1ab, IEEE802.3z, IEEE 802.3x, IEEE 802.3ad IEEE 802.1d, IEEE 802.1p, IEEE 802.1q, IEEE 802.1w, IEEE 802.1s, IEEE 802.1x IEEE 802.1ab

## Ports

10/100/1000MBase-T 8  
1000MBase-X SFP <sup>(1)</sup> 2 SFP/Gigabit Ethernet Combo

## Switch Performance

Architecture Store-and-forward  
Bandwidth 24Gbps  
Buffer 4M  
Mac Address Table 8192

## PoE

Standard IEEE802.3af/at  
PSE Type End-span  
Power Pin Assignment 1/2 (+), 3/6 (-)  
Power Output <sup>(2)</sup> Each port up to 30W

## Management

Port configuration Port enable/disable; Port rate settings; Full-duplex mode; Flow control;  
VLAN 4K VLAN; Port-based VLAN; 802.1Q VLAN protocol  
Multicasting SNMP V1/V2/V3 protocols; IGMP Snooping; IGMP multicast group:1024

## Console Port

USB (115200-8-N-1)

## PoE Management

Total Power Consumption Control; PoE ON/OFF; Port Output Priority;

## Mechanical

Enclosure IP40  
Dimension (WxDxH) 68mm × 102.5mm × 146mm  
Weight 0.9kg

## Security Feature

Enable/disable ports;  
MAC based port security;  
Port based network access control (802.1x); VLAN (802.1Q); Radius centralized password management;  
SNMP v1/v2c/v3 encrypted authentication and access security

## Protocols

ERPS/STP/RSTP/MSTP, SNTP, 1588 PTP Client, DHCP Server/Client, MVR, IGMP v1/v2, GMRP, GVRP, SNMP v1/v2c/v3, TFTP, RMON, RARP, HTTP, HTTPS, Telnet, SSH, Syslog, LLDP, IPv6, NTP Server/Client

## Warning & Monitoring

Relay output for fault event alarming  
Syslog to record and view events  
Event selection support

## Relay Output

1A@24Vdc NC or NO

## Power <sup>(3)</sup>

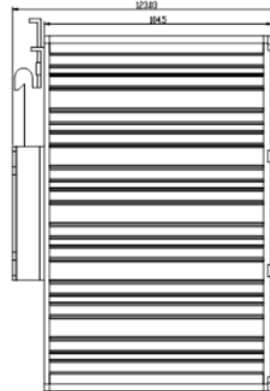
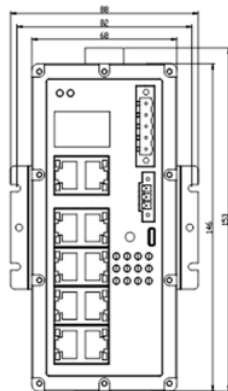
Redundant Power Input 46 - 57Vdc  
Power Consumption < 10W (Without PoE output)  
POE budget 240W  
Overload Current Protection Yes  
Reverse polarity protection Yes

## Environmental

Operating Temperature -40° ~ +75° C  
Storage Temperature -40° ~ +85° C  
Operating Humidity 5% to 95% non-condensing

## Protection

Surge 6KV, IEC61000-4-5  
ESD Level 4: IEC61000-4-2  
RS Level 3: IEC61000-4-3  
EFT Level 4: IEC61000-4-4  
CS Level 3: IEC61000-4-6



# Order Information

**ESMGS8-C2-B: Managed, 8\*10/100/1000MBase-T POE/POE+, 2 Gigabit ports**

1. SFP module sold separately
2. Each port supports maximum 30W output. Output can be managed via Web software.
3. Power supply sold separately.

*Due to ongoing technological improvements, product specifications are subject to change without notice. KBC is not liable for any errors, omissions or changes of any description of the goods contained herein. This information is for the sole purpose of identifying the products and KBC makes no warranty that the products conform to any description contained herein. Do not rely solely on any representations, statements, or assertions concerning these Products contained herein.*