

Product Description

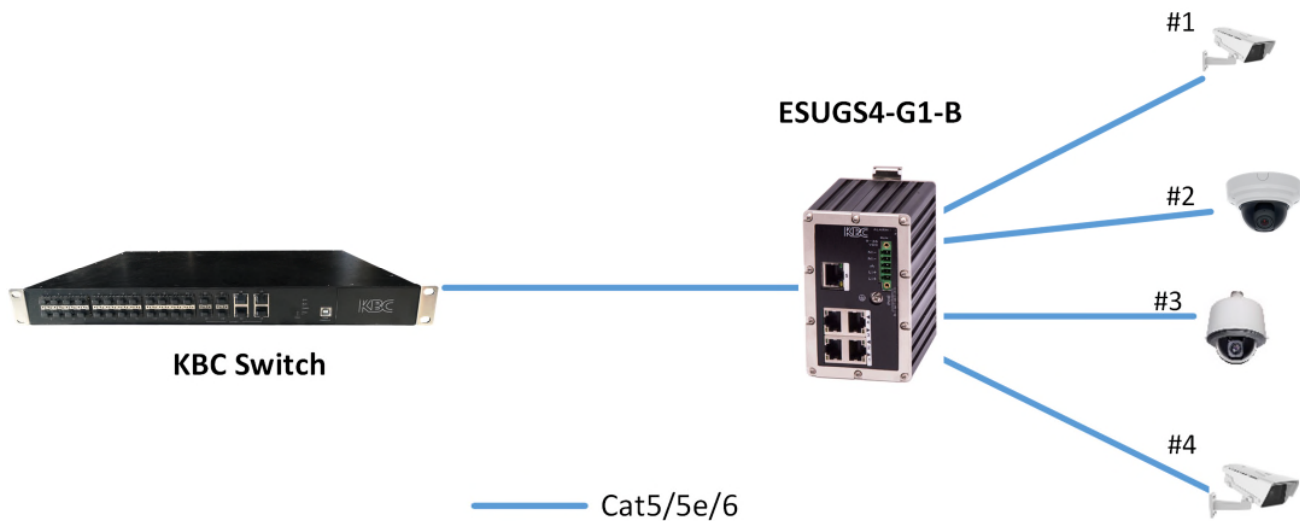
The KBC ESUGS4-G1-B is a high performance, non-managed industrial switch with 5* 10/100/1000M auto sensing copper port. Four of the copper ports support PoE/PoE+, with up to 30W output on each PoE port. Unique mount design makes DIN mount and removal easy. Rugged design with IP40 and industrial level 3 ESD protection of the switch makes it suitable for use in harsh environment applications, such as power, transportation, pipeline, petrochemicals, industry automation and IP surveillance.



Product Features

- Non-managed industrial switch
- 5x10/100/1000Base-T(X) ports, 4 PoE+ ports
- Each PoE port output up to 30W
- Support IEEE802.3af&at
- Overload current protection and reverse polarity protection
- Level 3 ESD protection
- IP-40 housing design
- Support DIN-rail or wall mounted
- Unique DIN mount design makes mount and removal easy

Typical System Configuration



Specifications

Standards

IEEE Standards
IEEE802.3, IEEE802.3u,
IEEE802.3x, IEEE802.3z
IEEE802.3ab, IEEE802.3af/at

Ports

10/100/1000Base-T RJ45 (5, 4 with PoE/PoE+)

Switch Performance

Architecture Store-and-forward
Memory Buffer 512K
Switch Capacity 1.2Gbps
Mac Table 1K

PoE

Standard IEEE802.3af/at
PSE Type End-span
Power Pin Assignment 1/2(+), 3/6(-)
PoE Power Output Each PoE port up to 30W

Power⁽¹⁾

Redundant Power Input 46 ~ 57Vdc
Power Consumption < 5W (without PoE)
PoE Budget 120W max.
Overload Current Protection Yes
Reverse polarity protection Yes

Protection

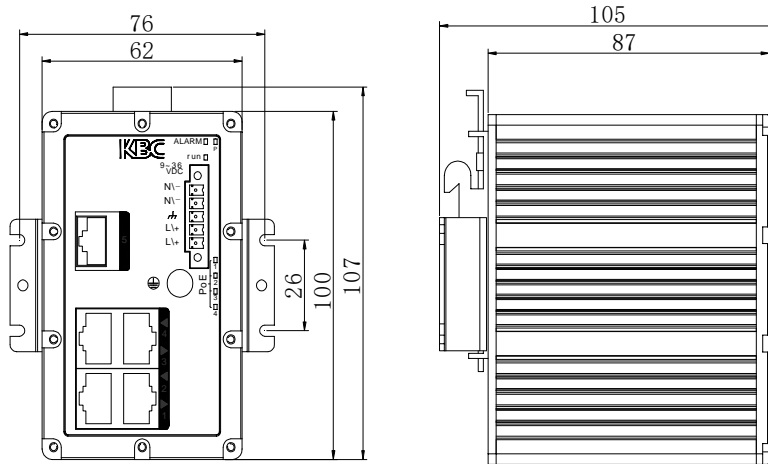
Surge 6KV, IEC61000-4-5
ESD ESD Level 4: IEC61000-4-2
RS Level 3: IEC61000-4-3
EFT Level 4: IEC61000-4-4
CS Level 3: IEC61000-4-6

Environmental

Operating Temperature -40 °C ~ +75 °C
Storage Temperature -40 °C ~ +85 °C
Operating Humidity 5% to 95% non-condensing

Mechanical

Enclosure IP40
Dimension (L×W×H) 62mm × 87mm × 100mm
Weight 0.6kg



Order Information

ESUGS4-G1-B: Unmanaged, 5×10/100/1000Base-T(X) ports, 4 PoE+ ports

1. Power supply sold separately.

Due to ongoing technological improvements, product specifications are subject to change without notice. KBC is not liable for any errors, omissions or changes of any description of the goods contained herein. This information is for the sole purpose of identifying the products and KBC makes no warranty that the products conform to any description contained herein. Do not rely solely on any representations, statements, or assertions concerning these Products contained herein.