



ESUGS6-P1-L-B

Industrial Gigabit Ethernet Switch with PoE+

7 ports: 6 PoE+ ports, 1 SFP ports

Powered by 9 ~ 36VDC



Product Description

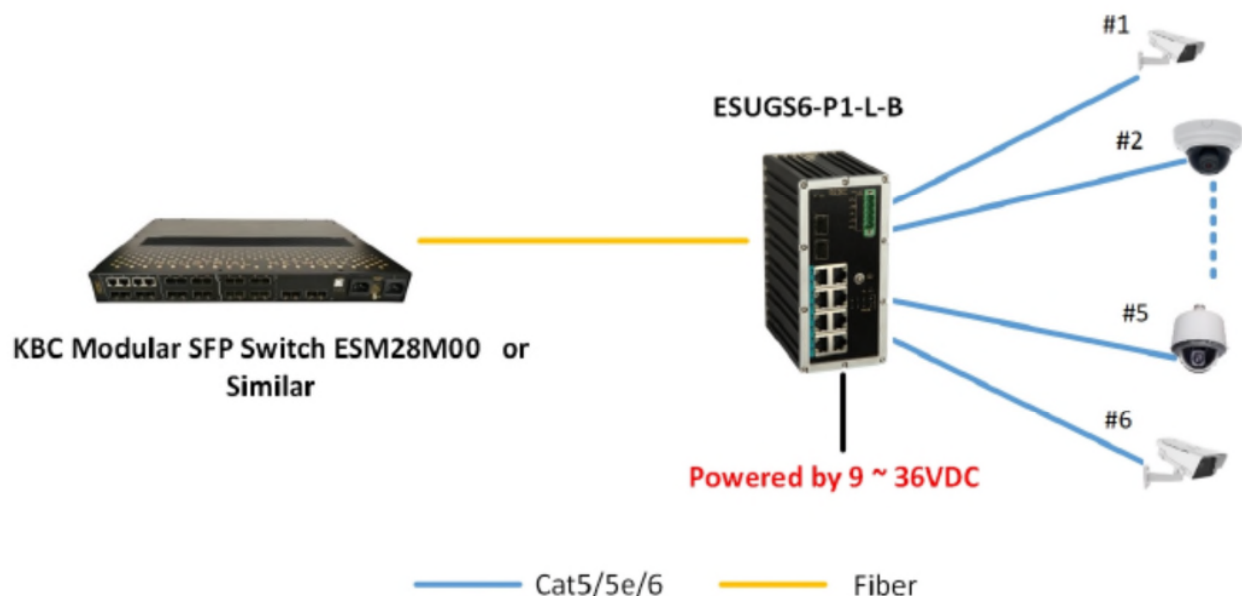
The KBC ESUGS6-P1-L-B Series is a high performance, unmanaged industrial gigabit Ethernet switch with 6* 10/100/1000M auto sensing copper port, 1 gigabit SFP ports. The switch is powered by 9 ~36 VDC making it the perfect choice for applications where +12VDC or 24VDC power is available. Six copper ports support PoE/PoE+ where each port offers a maximum of 30w power. The switch is rugged in design with IP40 enclosure and industrial level 3 ESD protection. Unique mount design makes DIN mount and removal simple. The rugged design is suitable for use in harsh environment applications such as in Power, Transportation, Pipeline, Petrochemical, Automation Industries and IP surveillance.



Product Features

- 6x10/100/1000Base-T(X) ports
- 1xgigabit SFP ports
- Unmanaged industrial switch
- Supporting IEEE802.3af&at
- **9 ~ 36VDC Power supply input**
- Overload current protection and reverse polarity protection
- Level 3 ESD protection
- IP-40 housing design
- Supporting DIN-rail or wall mounted
- Unique DIN mount design makes mount and remove easy.

Typical System Configuration



Specifications

Standards

IEEE Standards	IEEE802.3, IEEE802.3u IEEE802.3z, IEEE 802.3ab
----------------	---

Ports

10/100/1000MBase-T	6
1000MBase-X SFP ⁽¹⁾	1

Switch Performance

Architecture	Store-and-forward
Switch Capacity	20Gbps

PoE

Standard	802.3af/at
PSE Type	End-span
Power Pin Assignment	1/2(+), 3/6(-)
PoE Power Output	up to 30 watts max per port

Mechanical

Dimension (WxDxH)	85mm × 102.5mm × 146mm
Weight	0.8kg

Power ⁽²⁾

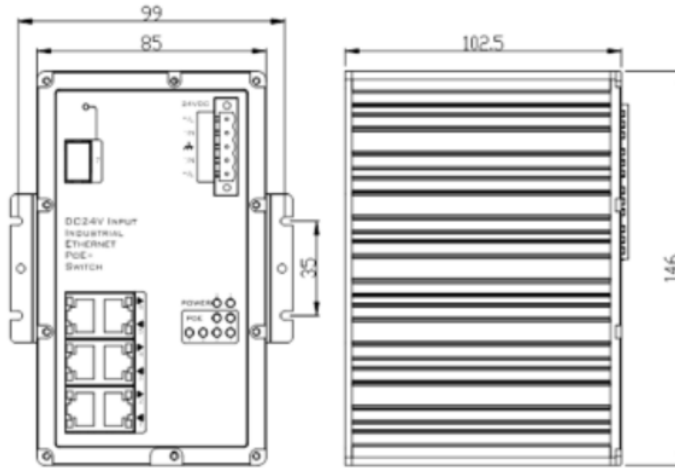
Redundant Power Input	9 ~ 36Vdc
Power Consumption	< 5W (No POE output)
POE Budget ⁽³⁾	160W
Overload Current Protection	Yes
Reverse polarity protection	Yes

Protection

Enclosure	IP40
ESD	Industrial level 3

Environmental

Operating Temperature	-40° ~ +75°C
Storage Temperature	-40° ~ +85°C
Operating Humidity	5% to 95% non-condensing



Order Information

ESUGS6-P1-L-B: 6*10/100/1000M Base-T PoE/PoE+, 1*Gigabit SFP

1. SFP module sold separately.
2. Power supply sold separately.
3. POE budget is related with Power input. POE Budget is 120W with 12VDC; 160W with 24VDC; 160W with 36VDC.

Due to ongoing technological improvements, product specifications are subject to change without notice. KBC is not liable for any errors, omissions or changes of any description of the goods contained herein. This information is for the sole purpose of identifying the products and KBC makes no warranty that the products conform to any description contained herein. Do not rely solely on any representations, statements, or assertions concerning these Products contained herein.