

Clarius®



Medium PoE IR LED Illuminator

The **Clarius® Plus** range of high performance Infra-Red LED illuminators are designed to provide class leading performance, long life and ultra low maintenance.

Incorporating the latest surface mount **Dual Core®** LED's with enhanced optical output and outstanding reliability, they deliver excellent night-time images.

Each unit is fitted with integrated control circuitry to carefully control LED output, delivering consistent illumination and projected working life in excess of 10 years.

The **Clarius® Plus** range of illuminators includes a new interchangeable lens diffuser system; which allows the user to quickly and easily alter the angle of illumination. Elliptical beam profiles allow more light to be delivered where it is needed, allowing both longer distances and minimising light wastage. The system also helps to prevent overexposure of foreground objects.

As standard the illuminator includes interchangeable lensing to deliver 10° circular, 30°, 60°, and 95° elliptical beam profiles.

PRODUCT CODES

IM-8-P Medium Clarius PLUS PoE Infra-Red Illuminator 850nm

IM-9-P Medium Clarius PLUS PoE Infra-Red Illuminator 940nm

FEATURES

IR illuminator designed to provide dedicated lighting for IP cameras via PoE+ (power over ethernet)

IEEE02at compliant (PoE+)

Latest **Dual Core®** SMT LED technology

Elliptical beam profiles

Distances up to 187m (614')

Angle 10°, 30°, 60° & 95°

850nm or 940nm wavelengths

5 year warranty

IP66 weather proof rating

Built-in photocell IR on/off

Photocell following contact

Telemetry input for remote switching

Enable network infrastructure technology

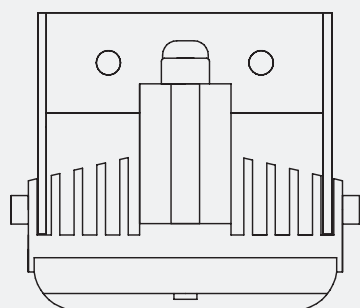
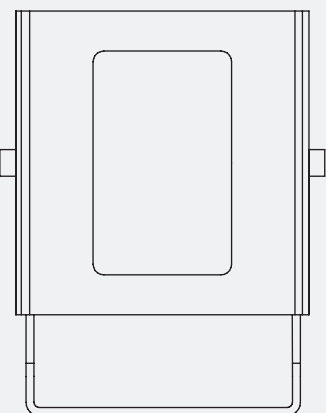
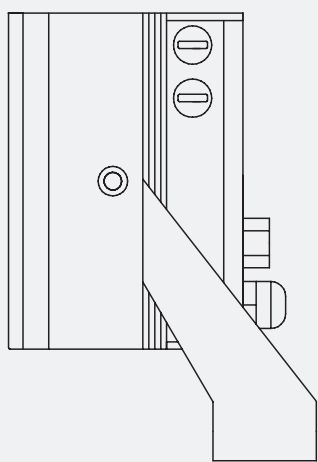
CleanLITE® self cleaning lens coating technology

High quality anodised aluminium heatsink



Product Code	Wavelength	Angle	Distance		FOV	
IM-8-P	850nm	10° - Circular	187m	614'	33m	107'
		30° - Elliptical	94m	307'	50m	164'
		60° - Elliptical	60m	195'	69m	225'
		95° - Elliptical	30m	98'	65m	213'
IM-9-P	940nm	10° - Circular	115m	376'	20m	66'
		30° - Elliptical	65m	213'	35m	114'
		60° - Elliptical	40m	131'	46m	152'
		95° - Elliptical	20m	66'	44m	143'

TECHNICAL SPECIFICATIONS



GENERAL

Electronics

High Efficiency Surface Mount High Power **Dual Core**® LEDs With Advanced Current Limited Integral Control Circuitry

Construction Front Window

Robust High Quality Aluminium Extrusion
Polycarbonate High Transmission Protective (Vandal Proof) IR Filter with CleanLITE® Technology

Finish

Black Anodised

Power Cable Interface Connector

3m (9ft) with waterproof RJ45 connector
Photocell Following Contact & Remote Telemetry Input

Pressure Equalisation Vent

Prevents Thermal Expansion & Pressure Cycling

Photocell

Adjustable 20 -70 Lux

Illumination

Adjustable 10% - 100%

Operating Temperature

-50° to 50°C (-58° to 122°F)

Weight

1.05Kg (2.3lbs)

Mount

Powder Coated Stainless Steel Wall Mount

Dimensions

111 x 110 x 78mm (4.49" x 4.33" x 3.07")

ELECTRICAL

High Power over Ethernet Consumption

IEEE802at Compliant (PoE+)
26W

WAVELENGTH

Standard

850nm (Semi Covert). Faint Red Glow Only

Optional

940nm (Covert). Minimal Visible Glow

CERTIFICATION

Safety

EN60598:2004 Electrical Safety
EN60825-1 Laser Eye Safety

IP

IP66 In Accordance With EN60529;1992

EMC

EN61000, FCC Part 15. 107
15. 108 Class B

WEEE

Waste Electrical & Electronic Equipment European
Directive 202/96/EC

RoHS

Restriction Of Hazardous Substance European
Directive 202/95/EC

Please note GJD reserve the right to change the information within this document, without notice. **DSIM_P+-31-08-15**

www.gjd.co.uk | info@gjd.co.uk | +44 (0) 1706 363 998

Unit 2 Birch Business Park, Whittle Lane, Greater Manchester, Lancashire, OL10 2SX

