

## Product Description

The KBC MCLN2 series is an industrial two channels 10/100M Ethernet media converter. It supports transmission of two channels 10/100Base-T Ethernet over either one or two, multimode or single mode optical fibers with full duplex operation. Typically the two channels media converter is installed in remote end, in head end compatible one channel media converter MCLN1 series is installed. Plug-and-play design makes installation straightforward, with no electrical or optical adjustment needed. LED indicators are provided to show the operational status of the unit. Rugged design in both enclosure and electrical protection makes it suit for application in harsh environment.

The series is available in wall mount, DIN, and 2U passive rack FR2-12.



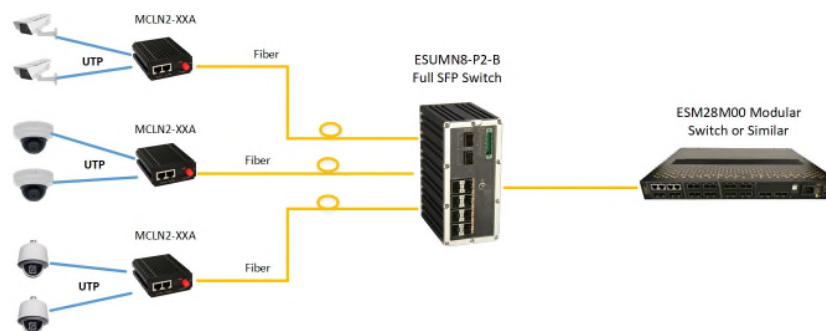
## Product Features

- 10/100M auto sensing
- 2kV Surge Protection on RJ45 electrical Port
- Compatible with 1 channel 10/100M media converter MCLN1 series
- SM (Single Mode), and MM (Multi Mode)
- 1 fiber or 2 fibers
- SM&MM: 1310nm/1550m for 1 fiber; 1310nm for 2 fibers
- Typical SM and MM transmission distance are 20KM and 2 KM respectively. Longer distance is available
- IP40 enclosure
- DIN, Wall Mount
- FR2-12 passive Rack with 12 slots

## Typical System Configuration



Typical Application -1 : Point to Point connection



Typical Application -2 : Media converters directly connect to SFP switch

## Specifications

### Standards

IEEE Standards

IEEE802.3 10Base-TX

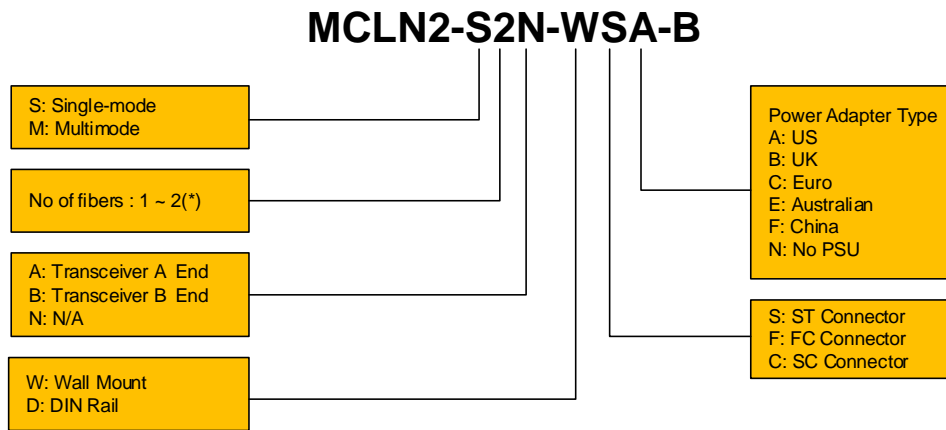
### Power

Power Input

+12Vdc

<b>Electrical</b>	IEEE802.3u 100Base-TX IEEE802.3u 100Base-FX	Power Consumption	< 3W
Data Port	2	Power Supply <sup>(2)</sup>	Input: 100 - 240Vac Output: +12Vdc
Data Rate	10/100Mbps Auto-Sensing Half & Full Duplex	<b>Environmental</b>	
Surge Protection	2kV	Operating Temperature	-40° ~ +75° C
		Storage Temperature	-40° ~ +85° C
		Operating Humidity	0 to 95% non-condensing
		Mean Time Between Failure (MTBF)	> 100,000 Hours
<b>Optical</b>		<b>Enclosure Protection</b>	IP40
Port	1	<b>Connectors</b>	
Wavelength	1 fiber SM&MM:1310nm/1550nm 2 fibers SM&MM: 1310nm	10/100M Electrical	RJ-45
Fiber	1 or 2 MM (50/62.5/125µm) SM (9/125µm)	Fiber <sup>(3)</sup>	FC, SC or ST
		Power <sup>(4)</sup>	Screw Block Terminal
Typical Loss Budget	12dB	<b>Others</b>	
Typical Distance <sup>(1)</sup>	MM: 2km SM: 20KM Longer distance is available	Cable	CAT5 or CAT6, direct or cross cable
		LEDs	Connection status data sending & receiving

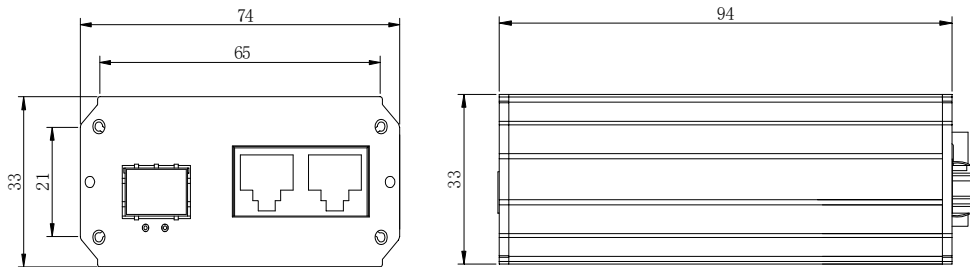
## Part Number Configurator



\*: For two fibers, both ends are same, that is MCLN2-X2N-XXX-B

## Dimension

L x W x H                      94mm x 74mm x 33 mm



1. Transmission distance is limited by optical loss of the total fiber connection and fiber dispersion (fiber bandwidth).
2. Please select the power plug type when placing order.
3. Please select the fiber connector when placing order.
4. Power lines are crimped and fitted to screw block connector in factory.

*Due to ongoing technological improvements, product specifications are subject to change without notice. KBC is not liable for any errors, omissions or changes of any description of the goods contained herein. This information is for the sole purpose of identifying the products and KBC makes no warranty that the products conform to any description contained herein. Do not rely solely on any representations, statements, or assertions concerning these Products contained herein.*